

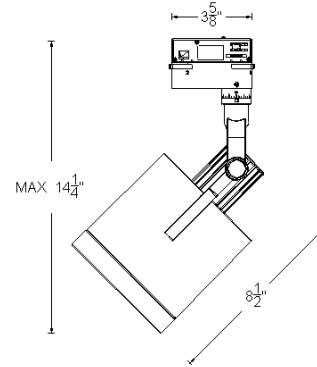
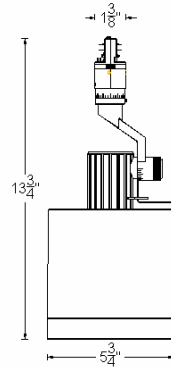


615 South Street
 Garden City, NY 11530
 Tel: 866.788.2100 Fax: 516.393.3084
 www.W2lighting.com

CATALOG NUMBER	TYPE
PROJECT	

VAMP SPOT – LINE VOLTAGE TRACK HEAD

SERIES WTK-238



Ordering Matrix

Model	Finish
[]	[]
WTK-238 = on 120V track WTF-238 = on 277V track	BK = Black WT = White PT = Platinum

Ordering Example (*Model-Finish*) : WTK-238-WT

Product Details

Description: Line voltage track head using PAR 38 lamps. Designed for use on W2 track.

Materials: Die-cast aluminum fixture, cap ring and check ring. Clear 1/8 inch tempered glass lens included.

Socket: Medium base porcelain socket with nickel-plated copper screw shell.

Aiming: 350° horizontal rotation and 90° vertical aiming with indexing scales. Spring loaded buttons lock to secure the aiming adjustment on horizontal and vertical axis.

Lamping: Re-lamps from the front using PAR 38 lamps. Lamp not included.

Finish: Powder coat paint finish. Available in Black (BK), White (WT), Platinum (PT).

Listing: UL & CUL Listed. Patent Pending.

Specification Features

- Die-cast aluminum fixture with integral indexing scales to assure precise directional adjustment.
- Threaded lens cap holds up to 4 lenses and accessories securely.
- 5 year product warranty.

Track Adaptor Information

Standard Adaptor
For J style
W2 & W.A.C track



J2 Adaptor
For J2 style
W2 & W.A.C track



JCLIP
Ordered when using track
heads on 2nd circuit of J2



Compatible Accessories –USE SIZE 38

• **Dichroic Lens**
LENS-38-DIC-COLOR

• **UV Filter**
LENS-38-UVF

• **IR Filter**
LENS-38-IR

• **UV- IR Filter**
LENS-38-UI

• **Beam Elongator**
LENS-38-BEL

• **Beam Soft/Beam Spread Lens**
LENS-38-BSL / LENS-38-SPR

• **Block Screen**
LENS-38-3-BS/ LENS-38-4-BS/ LENS-38-5-BS

• **Hood (for wall-washing)**
HOOD-38-BK

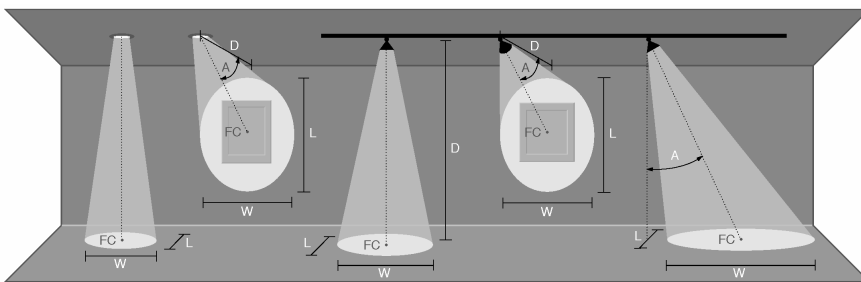
• **Cross Louver**
LENS-382-CRL

• **Snoot**
LENS-38-SNOOT

• **Honeycomb Louver**
LENS-382-HCL

• **Barn Door**
TL-38-BD

Photometry

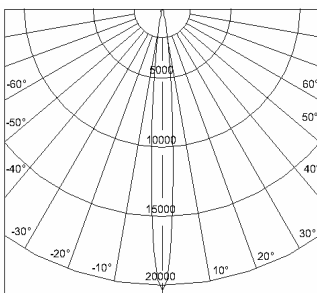


D Distance To Fixture From Wall Or Floor
FC Initial Footcandle Level At Center Of Beam
L Beam Length (where candlepower drops to 50% of maximum)
W Beam Width (where candlepower drops to 50% of maximum)

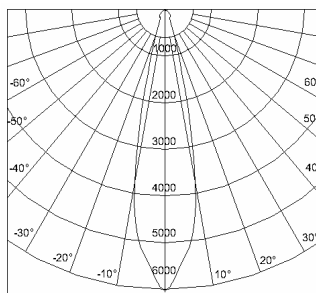
JTK-238SL9			
0° Aiming Angle			
D(ft)	FC	W	L
6	608	0.9	0.9
9	270	1.4	1.4
12	152	1.9	1.9
15	97	2.4	2.4
45° Aiming Angle			
D(ft)	FC	W	L
6	215	1.3	1.9
9	96	2.0	2.9
12	54	2.7	3.8
15	34	3.3	4.8

JTK-238NL25			
0° Aiming Angle			
D(ft)	FC	W	L
6	167	2.7	2.7
9	74	4.0	4.0
12	42	5.3	5.3
15	27	6.7	6.7
45° Aiming Angle			
D(ft)	FC	W	L
6	59	3.8	5.6
9	26	5.6	8.4
12	15	7.5	11.2
15	9	9.4	14

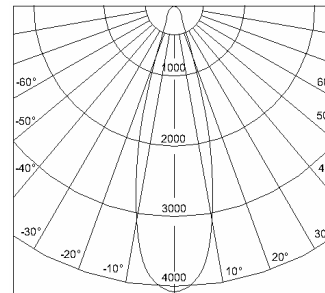
JTK-238FL30			
0° Aiming Angle			
D(ft)	FC	W	L
6	113	3.2	3.2
9	50	4.8	4.8
12	28	6.4	6.4
15	18	8.0	8.0
45° Aiming Angle			
D(ft)	FC	W	L
6	40	4.5	6.9
9	18	6.8	10.4
12	10	9.1	13.9
15	6	11.4	17.3



90W CBCP 21882



90W CBCP 6025



90W CBCP 4073

W2 Architectural Lighting reserves the right to modify the design of our products as part of our continuous improvement program.

02/20/2009